

FULL MOTION DESK MOUNT WITH TILT & SWIVEL

Part of **B-Tech's Flex** range of desk mounting solutions, the **BT7351 Flex Solo** is a full-motion, tool-less desk mount designed to support a single screen up to 32". The arm features three swivel points along with height and tilt adjustment, making it easy to position the screen and adjust its height as required. The mount offers versatile installation options, including secure fixing to the rear or side of a desk or through a grommet hole. Additionally, the BT7351 incorporates integrated cable management and includes all required mounting hardware, ensuring a quick and simple installation.



SPECIFICATIONS

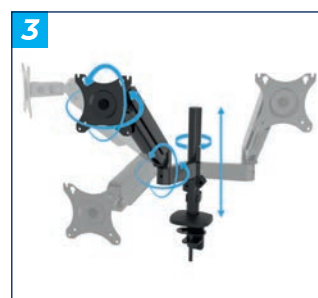
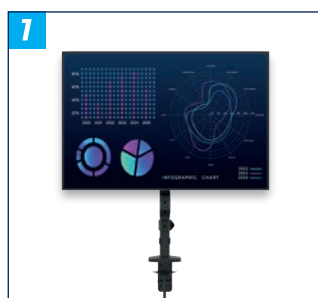
Recommended screen size	up to 32"
Max load	9kg
VESA® fixings	75 x 75 and 100 x 100
Height adjustment	55mm up to 592mm from the desk
Tilt	+/- 60°
Swivel	360°
Screen rotation	360°

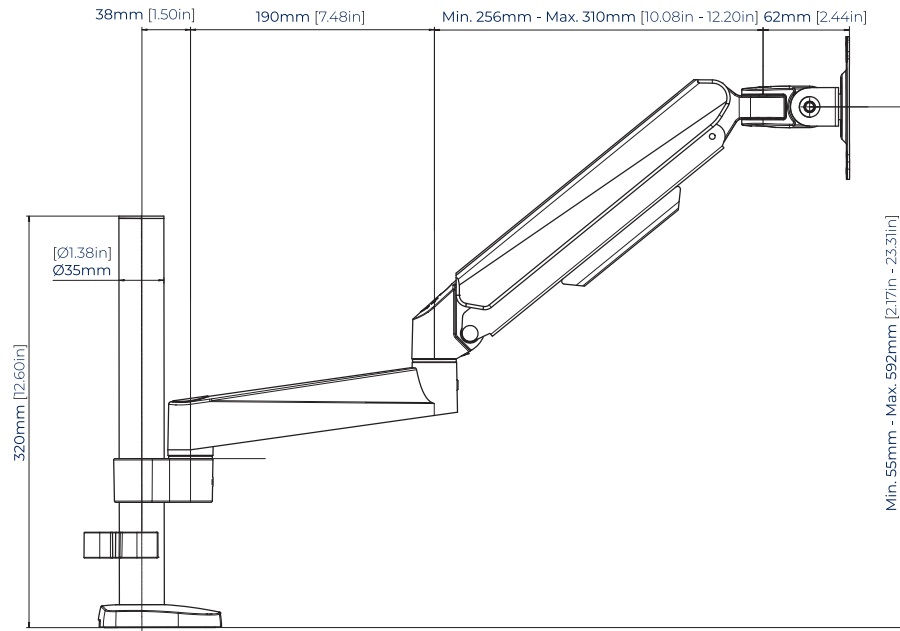
FEATURES

- 1** Designed to mount a single screen
 - 2** Supplied with both desk and grommet clamps
 - 3** Full motion adjustment with easy tilt, swivel and height adjustment
 - 4** Integrated cable management
- Optional adjustment of arm and tilt tension to support weights up to 9kg
 - Simple 'hook-on' installation with all mounting hardware included
 - **100% plastic free packaging**

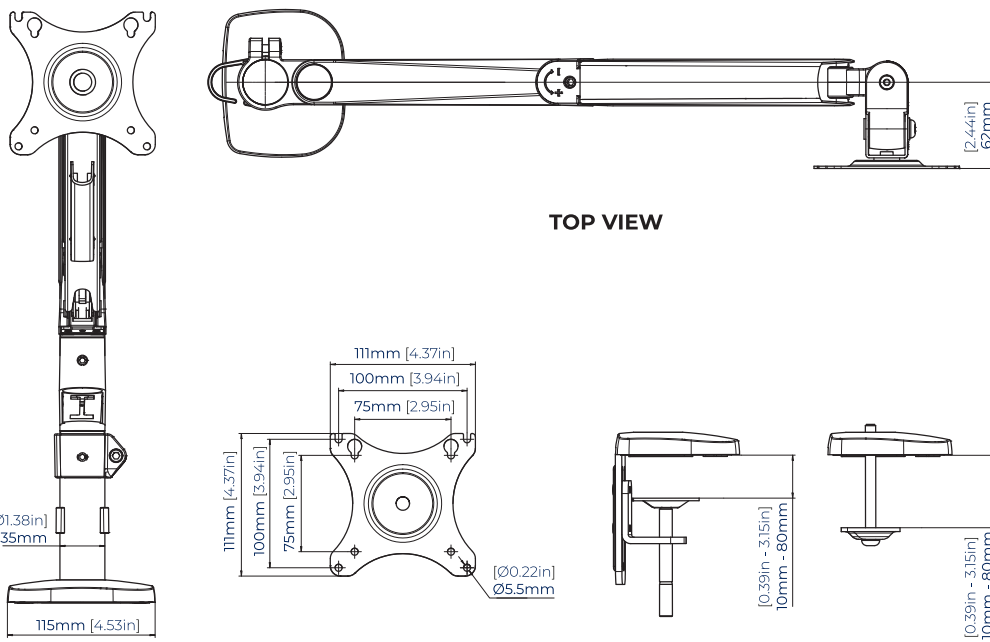


RECOMMENDED MAX SCREEN	MAX LOAD	MAX VESA	HEIGHT ADJUSTMENT	TILT	SWIVEL	ROTATION	PLASTIC FREE PACKAGING	QR CODE
32" 81cm	9kg	100 x 100		60° 60°	360°	360°		





SIDE VIEW



TOP VIEW

FRONT VIEW

INTERFACE PLATE

DESK CLAMP

GROMMET CLAMP

ORDERING INFORMATION

COLOUR	ORDER REF	EAN
Black	BT7351/B	5019318309007

RELATED PRODUCTS

PRODUCT CODE	NAME	DESCRIPTION
BT7352	Full Motion Twin Screen Desk Mount with Tilt & Swivel	Designed for two screens up to 32"
BT7353	Full Motion Triple Screen Desk Mount with Tilt & Swivel	Designed for three screens up to 32"
BT7373	Double Arm Premium Desk Mount	Designed for a single screen up to 28"
BT7372	Single Arm Premium Desk Mount	Designed for a single screen up to 28"

© 2018 B-Tech, AV Mounts Corporation Ltd. All rights reserved.
The information in this specification sheet reflects the current technical specifications at the time of printing.
We reserve the right to change the technical or physical specifications without prior notice. These specifications are subject to change without notice.
B-Tech is not responsible for any damage or loss of data caused by improper installation or mounting on unstable structures. Any reproduction or use without permission is strictly prohibited. All rights reserved. B-Tech AV Mounts Corporation Ltd. All rights reserved.