

INTERACTIVE TOUCH SCREEN TROLLEY

Part of **B-Tech's Momentum Range**, the **BT8545 Momentum Edge** is a modern, durable, and easy-to-use flat screen trolley designed to support displays and interactive touchscreens from 55" to 86". The Trolleys braked castors provide smooth, safe mobility, while the sturdy design ensures stable use, preventing unintended movement when using the touchscreen. Capable of holding displays up to 100kg with multiple screen mounting heights available, the BT8545 has versatile display options including an AV equipment shelf, which can also serve as a sleek blanking panel. This versatile solution is ideal for both installers and end users, delivering flexibility and performance across a range of applications.

SPECIFICATIONS

Recommended screen size	55" up to 86"
VESA® fixings	up to 800 x 600
Max load (Screen)	100kg
Max load (Shelf)	5kg
Trolley Dimensions	W: 1050mm H: 1428-1722mm D: 882mm
Shelf Dimensions	W: 950mm D: 210mm



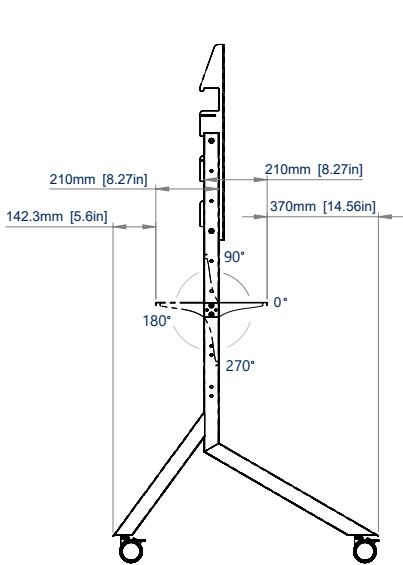
FEATURES

- 1 Sturdy steel construction prevents unwanted movement when using a touch screen display
- 2 Includes an accessory shelf that can be mounted at the front or rear of the trolley
- 3 The shelf can be installed vertically at the front, or as a blanking panel when fitted vertically at the rear
- 4 Equipped with non-marking, lockable, braked castors for secure mobility
 - Provides six height adjustments for screen mounting and three for the shelf
 - Safety screws help to prevent unauthorised removal of the screen
 - Simple hook-on installation
 - All necessary mounting hardware is included

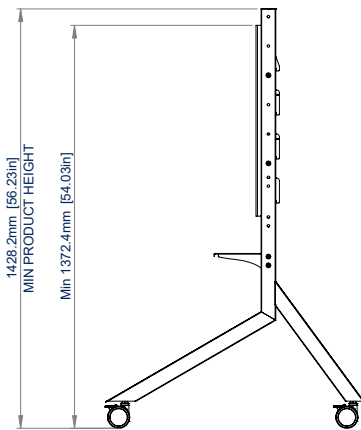


RECOMMENDED MAX SCREEN	MAX LOAD	MAX VESA	QR CODE
86" 218cm	100kg	800 x 600	

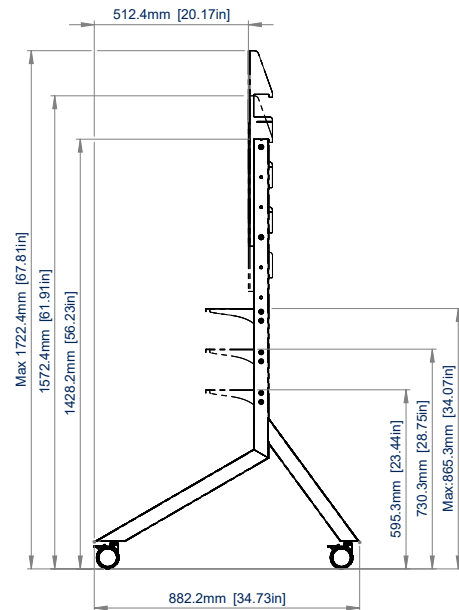




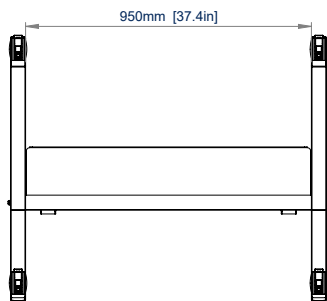
RIGHT SIDE VIEW
MINIMUM HEIGHT



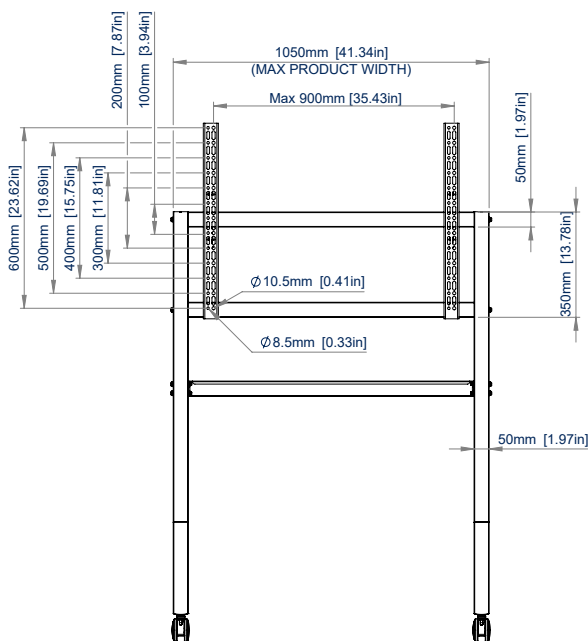
LEFT SIDE VIEW
MINIMUM HEIGHT



LEFT SIDE VIEW
MAXIMUM HEIGHT



TOP VIEW



FRONT VIEW

ORDERING INFORMATION

COLOUR	ORDER REF	EAN
Black	BT8545/B	5019318309076

RELATED PRODUCTS

PRODUCT CODE	NAME	DESCRIPTION
BT8546	XL Interactive Touchscreen Trolley	Designed to mount interactive displays up to 110" and 125kg
BT8564	XL Flat Screen Trolley	Designed to mount XL displays up to 65" and 130kg
BT8590	XXL Flat Screen Trolley	Designed to mount screens up to 120" and 130kg
BT8568	Motorised Height Adjustable Trolley	Designed to mount screens up to 86" and 100kg

© 2018 B Tech, AV Mounts Corporation Ltd. All rights reserved.
The information in this specification sheet reflects the current technical specifications as the time of printing.
We reserve the right to change the technical or physical specifications without prior notice. These specifications are subject to change without notice.
B Tech AV Mounts Corporation Ltd. is not responsible for any damage or loss of data caused by improper installation or use of the product. Any reproduction or use without permission is prohibited.
Specification sheet is strictly for information purposes and does not constitute an offer or a contract. All dimensions are in millimeters unless otherwise stated.

SS-V1-BT8545-231024