

POWERLINE WI-FI 1000 KIT MINI

Extend your Wi-Fi from any power socket!



The Powerline Wi-Fi 1000 kit Mini includes one Powerline 1000 Mini adapter and one Powerline Wi-Fi 1000 Mini adapter. It creates in a very simple way a high-speed Wi-Fi hotspot at a speed up to 750 Mbit/s using your home's existing electrical wiring.

Simply connect the Powerline 1000 Mini adapter to your existing Internet modem through an Ethernet port and you will immediately have an Internet connection available at any power socket. Then by using a Powerline Wi-Fi 1000 Mini adapter you can create a new Wi-Fi hotspot in the room of your choice and extend your Wi-Fi home coverage in minutes.

No new wires required! Connect computers, consumer electronics, smartphones, tablets and additional network-compatible devices to the Internet simply by using your power outlets.

The installation is extremely easy with a zero-time configuration and requires no expertise. With Powerline Wi-Fi 1000 Mini Kit, create your own Wi-Fi hotspot at speeds up to 750 Mbit/s in any power socket of your home and extend your Wi-Fi network further.

Performance



- Kit of 1 Powerline 1000 Mini adapter + 1 Powerline Wi-Fi 1000 Mini adapter
- Powerline Powerline HomePlug™ AV2 / HomePlug™ AV standards
- Powerline speed up to 1000 Mbit/s
- Wi-Fi speed up to 750 Mbit/s
- IEEE802.3, IEEE802.3u, 802.11ac/n/b/g/a, IEEE802.3ab Wi-Fi standards
- Works with any standard modem or router

Coverage & Reliability



- Range of 300 meters over electrical circuit for Powerline
- Plug&Play installation in a minute

Security



- Powerline 128 bit AES encryption for network security and data protection
- WPA/WPA2 for a high level of Wi-Fi security
- Connect & Secure button for an optimum network security

Connections



- 1x Gigabit Ethernet LAN port for the Powerline Wi-Fi 1000 Mini adapter to connect any computer, set-top-box, Smart TV, game console, ...

STRONG

POWERLINE WI-FI 1000 KIT MINI

Powerline Wi-Fi 1000 Mini Adapter

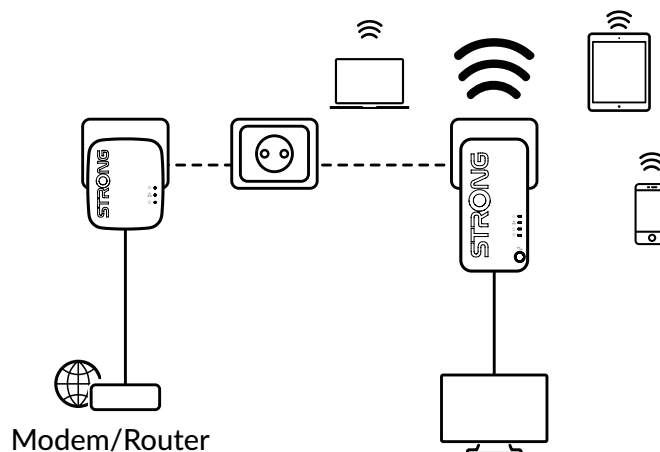
Frequency Wi-Fi	2412MHz-2462MHz, 5180MHz-5240MHz, 5250MHz-5350MHz, 5470MHz-5580MHz for wi-fi
Frequency Powerline	2 MHz ~ 68 MHz
Standards Wi-Fi	IEEE 802.11 ac/n/g/b/a, IEEE 802.3, IEEE 802.3u
Signal Rate Wi-Fi	Up to 750 Mbit/s (300Mbps@2.4GHz+433Mbps@5GHz)
Signal Rate Powerline	Up to 1000 Mbit/s
Security Wi-Fi	WPA/WPA2, WPA-PSK/WPA2-PSK
Security Powerline	128 bit AES
Antenna	2x internal
Transmit Power Wi-Fi	Europe: <23 dBm@5GHz, <20 dBm@2.4GHz
Ethernet Ports	1x 10/100/1000 Mbps LAN port (Auto MDI/MDIX)
Button	Connect & Secure (WPS), Reset
LEDs	Power, Ethernet, Powerline, 2.4GHz, 5GHz
Size (WxDxH) in mm	60 x 72.5 x 117mm
Weight in kg	0.120

Powerline 1000 Mini Adapter

Frequency	1.8 MHz ~ 68 MHz
Standards	HomePlug™ AV2 ,HomePlug™ AV, IEEE802.3, IEEE802.3u
Signal Rate	Up to 1000 Mbit/s
Security Powerline	128 bit AES
Interface	10/100/1000 Mbps Ethernet
Button	Connect & Secure (WPS), Reset
LEDs	Power, Powerline, Ethernet
Power	100 - 240 V, 50/60 Hz
Security	128 bit AES
Range	Up to 300 meters over electric circuit
Size (WxDxH) in mm	63 x 68 x 75 mm
Weight in kg	0.079

Others

Certification	CE
Package Contents	1x Powerline Wi-Fi 1000 Mini Adapter 1x Powerline 1000 Mini Adapter 2x Ethernet cables, 1x Installation instructions
System Requirements	Windows 7, 8, 8.1, 10, Mac OS X, Linux, Internet Browser
Environment	Operating temperature: 0 °C ~ +40 °C Storage temperature: -40 °C ~ +70 °C Operating humidity: 10%~90% non-condensing Storage humidity: 5%~90% non-condensing



POWERLWF1000DUOMIN
EAN: 9120072375729
PCB: 10

01/09/23